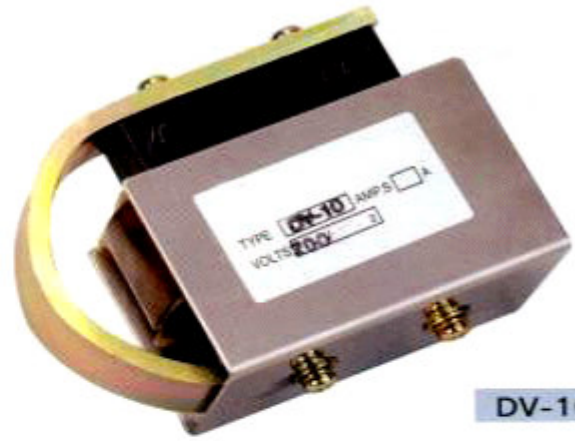
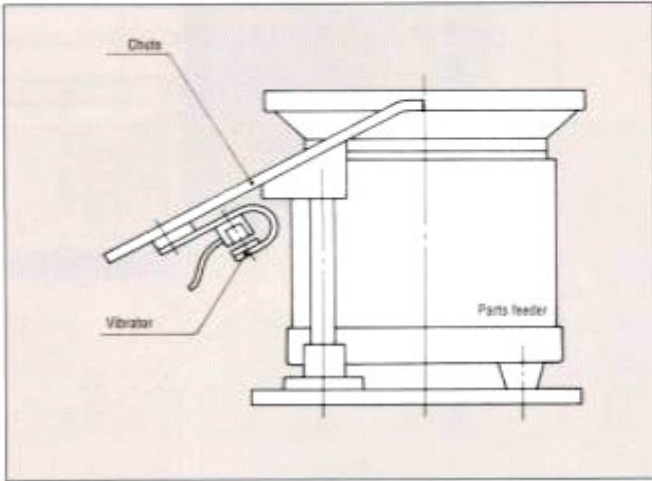


Features

The Vibrator DV Series produce minute vibration that ensures smooth drop of work pieces that tends to get stuck in an inclined chute. The controller MH-1N is to be used.

Example of Application



DV-10

Dimensional Drawing

