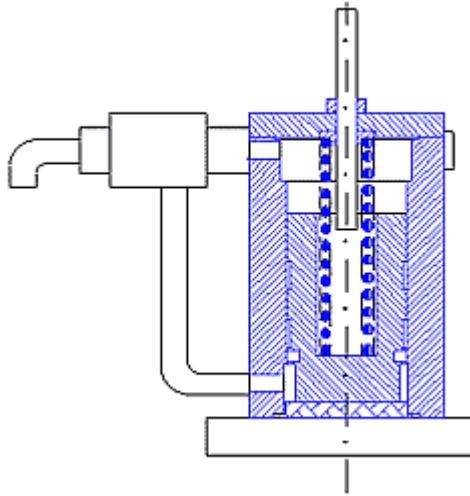
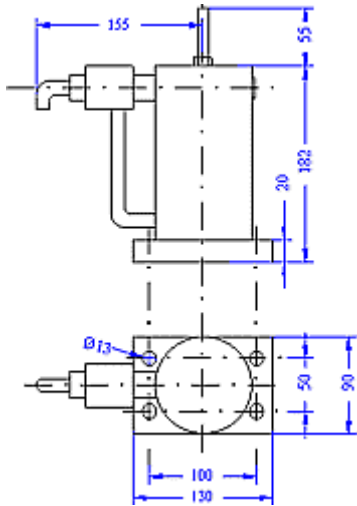


FKL-Series Single Impact Knockers



Selection:

FKL 100 - For walls up to 4mm
FKL 150 - For walls up to 6mm
FKL 200 - For walls up to 8mm

- Explosion proof
- Powerful stroke at low pressure
- Low air consumption
- Fully adjustable PTR
- No lubrication
- Can be used from 2-7 bar air pressure
- High efficiency

Performance:

Model	Force NM	Impulse Ns	Weight kg	Air l/min
FKL 100	10-50	1-10.5	4.5	0.5-1.1
FKL 150	50-110	1-28.5	9.5	1.2-1.7
FKL 200	100-200	1-57.5	18.1	2.2-3.3