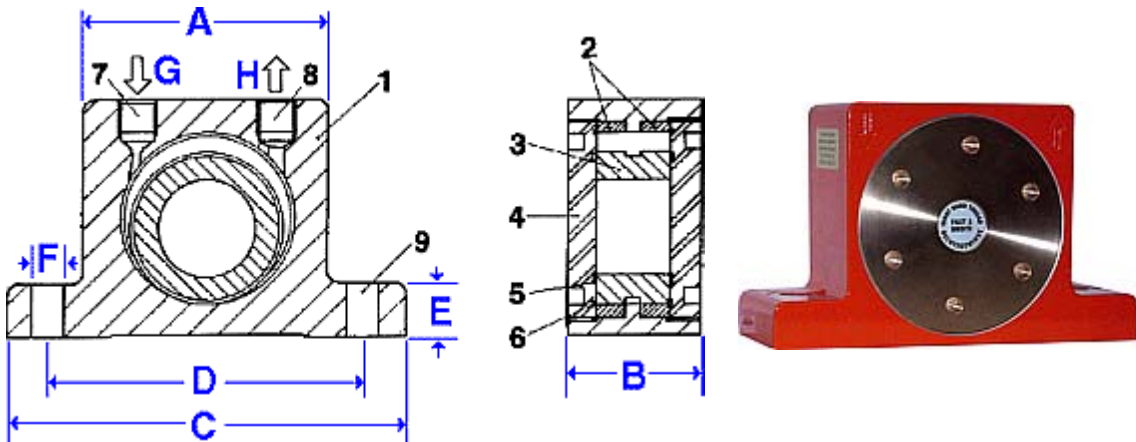


DAR-Series Roller Vibrator



- 6 models range to meet your needs
- Rotation frequency 8,000 to 38,000 RPM
- Centrifugal force from 1,700 to 12,000 N
- Max. operating temp. of 200°C (390° F)

Dimensions:

Model	A		B		C		D		E		F		G/H	Weight	
	mm	inches	mm	inches	mm	inches	mm	inches	mm	inches	mm	inches	BSP Thread	kg	Lbs
DAR-2	50	1.97	30	1.18	86	3.38	68	2.68	12	0.47	7	0.27	1/8"	0.370	0.82
DAR-3	65	2.56	36	1.42	113	4.45	90	3.54	16	0.63	9	0.35	1/4"	0.760	1.68
DAR-4	80	3.15	40	1.57	128	5.04	102	4.00	16	0.63	11	0.43	1/4"	1.270	2.80
DAR-5	100	3.94	52	2.05	160	6.30	130	5.12	20	0.79	13	0.51	3/8"	2.450	5.40
DAR-6	120	4.72	62	2.44	194	7.64	152	6.00	24	0.94	17	0.67	3/8"	4.700	10.35
DAR-7	120	4.72	77	3.03	194	7.64	152	6.00	24	0.94	17	0.67	3/8"	5.700	12.55

Performance:

Model	Frequency V.P.M. x 1000			Centrifugal force*						Air consumption / Minute					
	2 Bar 29 PSI	4 Bar 58 PSI	6 Bar 87 PSI	2 Bar N	29 PSI LBS	4 Bar N	58 PSI LBS	6 Bar N	87 PSI LBS	2 Bar Ltr.	29 PSI CF	4 Bar Ltr.	58 PSI CF	6 Bar Ltr.	87 PSI CF
DAR-2	36.0	38.0	38.0	2.220	500	3.380	760	4.090	920	70	2.5	140	4.9	200	7.0
DAR-3	27.0	32.0	32.0	2.720	612	4.560	1.026	6.050	1.361	100	3.5	200	7.0	300	10.6
DAR-4	18.0	22.50	25.0	2.360	531	4.610	1.037	6.690	1.505	120	4.2	250	8.8	360	12.7
DAR-5	9.5	15.0	16.5	1.680	378	4.640	1.044	7.200	1.620	130	4.6	270	9.5	390	13.8
DAR-6	7.8	10.0	12.0	4.370	983	6.860	1.544	10.300	2.317	170	6.0	320	11.3	470	16.6
DAR-7	8.0	9.8	11.5	5.870	1.320	9.500	2.137	12.000	2.700	180	6.4	350	12.4	500	17.7