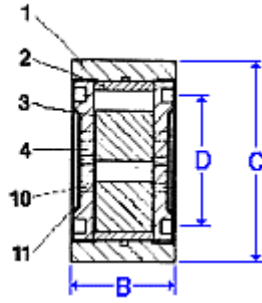
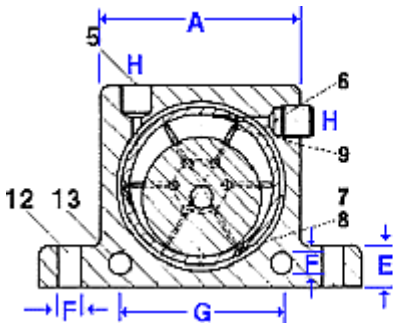


## R-Series High Frequency Roller Vibrator



- Range of 5 models to meet your needs
- Centrifugal force from 1,070 to 12,500 N
- Max. operating temp. of 140°C (280°F)

### Dimensions:

	A		B		C		D		E		F		G		H		Weight	
Model	mm	inches	mm	inches	mm	inches	mm	inches	mm	inches	mm	inches	mm	inches	BSP Thread	kg	Lbs	
R-50	50	1.97	29	1.14	86	3.38	68	2.68	12	0.47	7	0.27	40	1.57	1/8"	0.240	0.53	
R-65	65	2.56	37	1.46	113	4.45	90	3.54	16	0.63	9	0.35	50	1.97	1/4"	0.545	1.20	
R-80	80	3.15	43	1.69	128	5.04	104	4.09	16	0.63	9	0.35	60	2.36	1/4"	0.950	2.10	
R-100	100	3.94	52	2.05	160	6.30	130	5.12	20	0.79	11	0.43	80	3.15	3/8"	1.810	4.00	
R-120	120	4.72	77	3.03	194	7.64	152	5.99	24	0.94	17	0.67	NO LATERAL		3/8"	4.260	9.40	

### Performance:

Model	Frequency V.P.M. x 1000			Centrifugal force*						Air consumption / Minute					
	2 Bar 29 PSI	4 Bar 58 PSI	6 Bar 87 PSI	2 Bar N	29 PSI LBS	4 Bar N	58 PSI LBS	6 Bar N	87 PSI LBS	2 Bar Ltr.	29 PSI CF	4 Bar Ltr.	58 PSI CF	6 Bar Ltr.	87 PSI CF
R-50	25.0	35.0	36.0	1.070	240	2.920	657	4.220	950	100	3.5	145	5.1	195	6.9
R-65	19.0	21.0	26.0	2.730	614	4.830	1.089	6.120	1.377	200	7.0	300	10.6	400	14.1
R-80	15.5	18.5	19.0	3.000	675	6.090	1.370	7.450	1.676	290	10.2	430	15.2	570	20.1
R-100	11.0	14.0	16.0	3.750	844	6.750	1.519	8.900	2.003	370	13.0	550	19.4	730	25.8
R-120	10.0	11.5	12.5	8.000	1.800	10.000	2.250	12.500	2.812	500	17.6	730	25.8	970	34.2